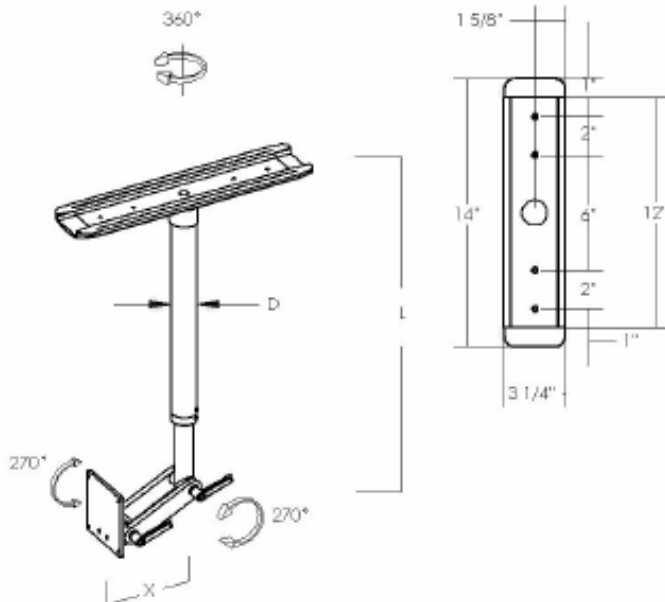


# ULTRA 95 ADJUSTABLE LCD CEILING MOUNT SERIES



## EMUL95CMQ1 Light Grey EMUL95CMB1 Black

Height, tilt and rotational adjustment

Suitable for medical, office and public area applications

· Simple Installation

· Supports monitors up to 8.16kg's

\* Monitor can be positioned 340mm—810mm from the ceiling

360 degrees rotation

Maximum 180 degrees of tilt

\* Highly aesthetic finish

\* Supplied with 75mm or 100mm VESA interface plate.

### Specification

Ceiling Ext.: **340—810MM**

Tilt Adjustment: **180°**

Monitor Swivel **360°**

Colour: **Light Grey or black**

Max Monitor Weight: **8.16Kg's**

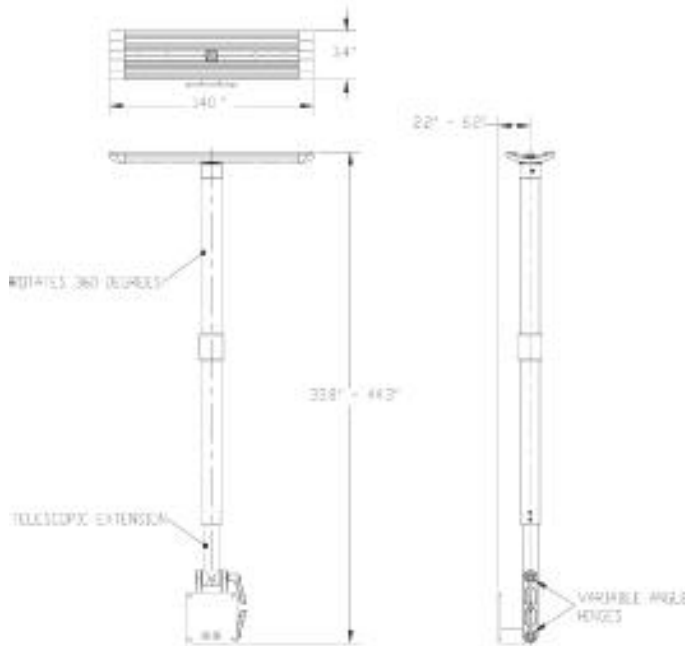
Touch Screen Stable: **NO**

Shipping Weight: **5Kg**

Product Warranty: **3 Years**

**PRODCO - PALM - CEMTS - HOCDOZP**

# ULTRA 95 ADJUSTABLE LCD CEILING MOUNT SERIES



**EMUL95CMQ1-0-0-1 Light Grey  
EMUL95CMB1-0-0-1 Black**

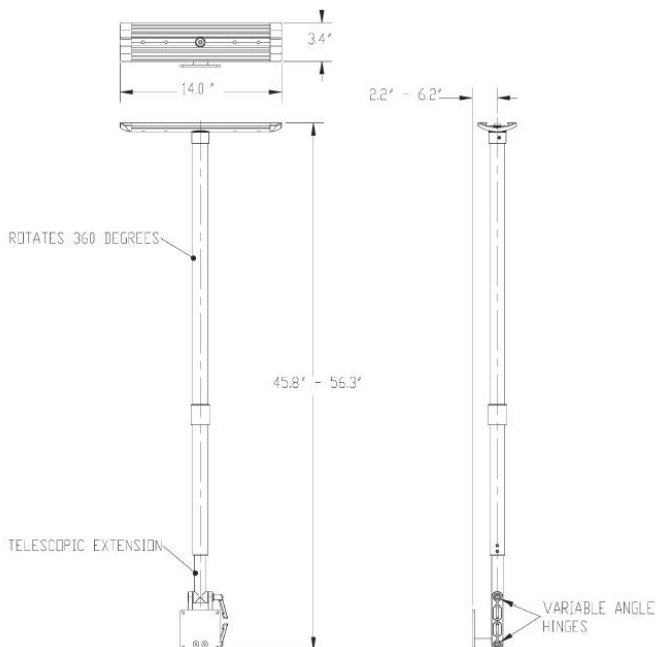
Height , tilt and rotational adjustment
Suitable for medical , office and public area applications
· Simple Installation
· Supports monitors up to 8.16kg's
Monitor can be positioned 858mm—1125mm from the ceiling
360 degrees rotation
Maximum 180 degrees of tilt
* Highly aesthetic finish
* Supplied with 75mm or 100mm VESA interface plate.

**Specification**

Ceiling Ext.:	<b>858—1125MM</b>
Tilt Adjustment:	<b>180°</b>
Monitor Swivel	<b>360°</b>
Colour:	<b>Light Grey or black</b>
Max Monitor Weight:	<b>8.16Kg's</b>
Touch Screen Stable:	<b>NO</b>
Shipping Weight:	<b>5Kg</b>
Product Warranty:	<b>3 Years</b>

**PRODCO - PALMCO - FACHCO**

# ULTRA 95 ADJUSTABLE LCD CEILING MOUNT SERIES



**EMUL95CMQ1-0-0-2 Light Grey  
EMUL95CMB1-0-0-2 Black**

Height , tilt and rotational adjustment

Suitable for medical , office and public area applications

· Simple Installation

· Supports monitors up to 8.16kg's

\* Monitor can be positioned 950mm—1422mm from the ceiling

360 degrees rotation

Maximum 180 degrees of tilt

\* Highly aesthetic finish

\* Supplied with 75mm or 100mm VESA interface plate.

**Specification**

Ceiling Ext.: **950—1142MM**

Tilt Adjustment: **180°**

Monitor Swivel **360°**

Colour: **Light Grey or black**

Max Monitor Weight: **8.16Kg's**

Touch Screen Stable: **NO**

Shipping Weight: **5Kg**

Product Warranty: **3 Years**

**PRODOTTORE SALVO-TECH-NOLOGIA**