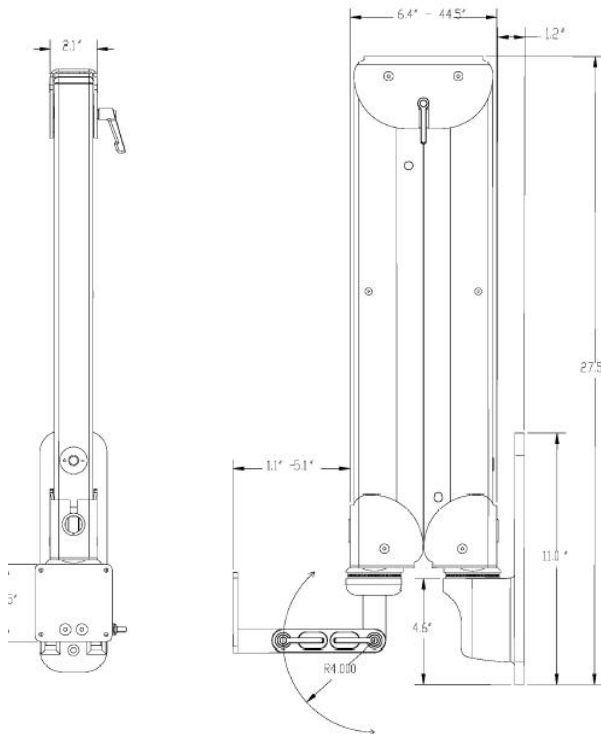


ELITE SERIES OF LCD MONITOR ARMS



E MEL5220WMQ1– Light Grey E MEL5220WMB1– Black
Durable, high quality, adjustable LCD monitor arm
· Massive 1066mm gas assisted reach,
· Tilt , swivel , reach and height movement
· Integral cable management
* Provides 90° forward and backwards tilt and 360° rotation adjustment
* Medical Grade
* Supplied with 75mm and 100mm VESA interface plates.
* Moves +/- 500mm above / below wall mount

Specification
Arm Ext.: 165mm—1066mm
Monitor Height Adjust 1000mm
Tilt Adjustment: 180°
Monitor Rotation 360°
Colour: Light Grey or black
Max Monitor Weight: 8.16Kg's
Keyboard and Mouse Tray No
Touch Screen Stable: No
Shipping Weight: 10Kg's
Product Warranty: 3 Years (1 year on cylinder)

W Z O - H A C - T - C M P S - H O C D O R P

ELITE SERIES OF LCD MONITOR ARMS



PRODCO - THE ORIGINAL

**EMEL5220WMQ1-0-3—Light Grey
EMEL5220WMB1-0-3— Black**

Durable, high quality, adjustable LCD monitor keyboard and mouse arm

- Massive 1066mm gas assisted reach,
- Tilt , swivel , reach and height movement
- Integral cable management

* Provides 90° forward and backwards tilt and 360° rotation adjustment

* Medical Grade

* Supplied with 75mm and 100mm VESA interface plates.

* Moves +/- 500mm above / below wall mount

Specification

Arm Ext.: **165mm—1066mm**

Monitor Height Adjust **1000mm**

Tilt Adjustment: **180°**

Monitor Rotation **360°**

Colour: **Light Grey or black**

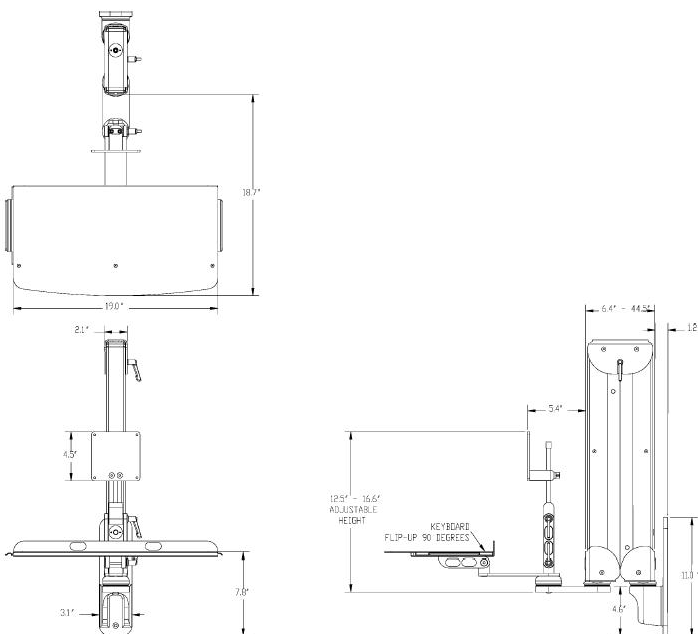
Max Monitor Weight: **8.16Kg's**

Keyboard and Mouse **Yes**
Tray

Touch Screen Stable: **No**

Shipping Weight: **10Kg's**

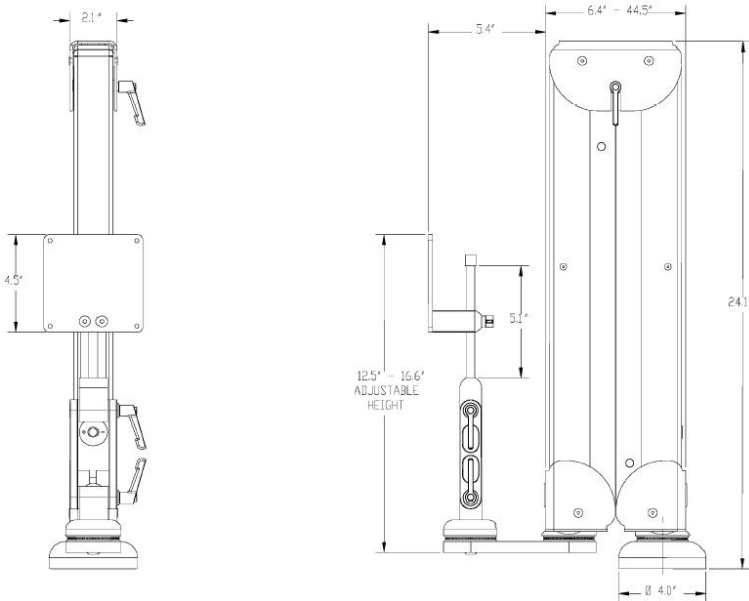
Product Warranty: **3 Years (1 year on cylinder)**



ELITE SERIES OF LCD MONITOR ARMS



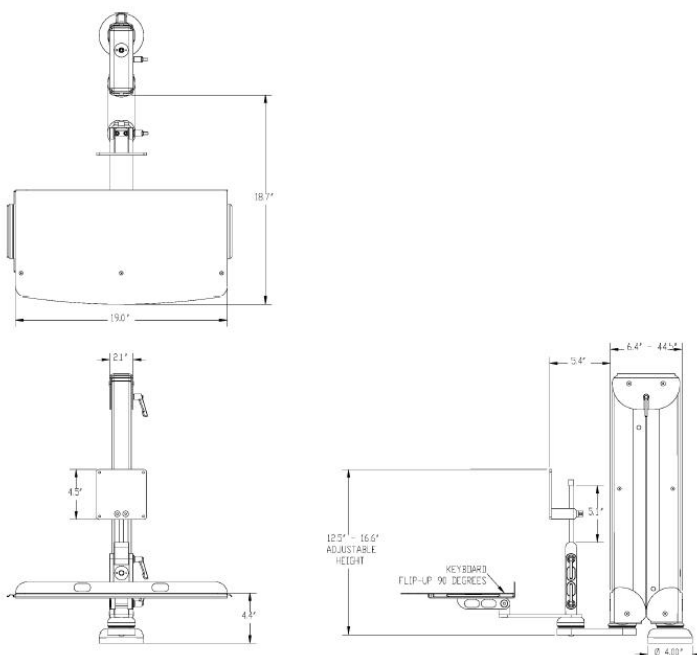
EMEL5220DMQ1– Light Grey EMEL5220DMB1– Black
Durable, high quality, adjustable LCD monitor arm
· Massive 1066mm gas assisted reach,
· Tilt , swivel , reach and height movement
· Integral cable management
* Provides 90° forward and backwards tilt and 360° rotation adjustment
* Medical Grade
* Supplied with 75mm and 100mm VESA interface plates.
* Moves +/- 500mm above / below desk mount



Specification	
Arm Ext.:	165mm—1066mm
Monitor Height Adjust	1000mm
Tilt Adjustment:	180°
Monitor Rotation	360°
Colour:	Light Grey or black
Max Monitor Weight:	8.16Kg's
Keyboard and Mouse Tray	No
Touch Screen Stable:	No
Shipping Weight:	10Kg's
Product Warranty:	3 Years (1 year on cylinder)

WZO-HA-C-E-SALVO-HOODA

ELITE SERIES OF LCD MONITOR ARMS

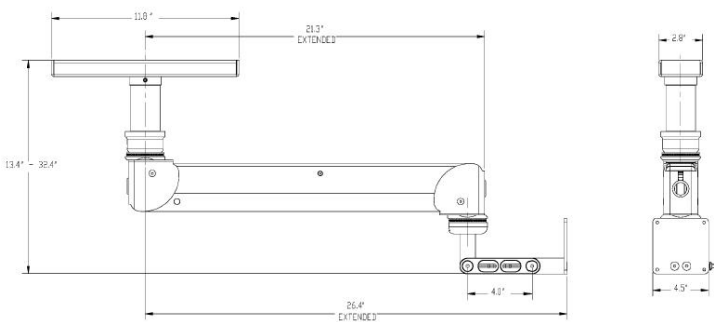


EMEL5220DMQ1-0-3—Light Grey EMEL5220DMB1-0-3— Black
Durable, high quality, adjustable LCD monitor keyboard and mouse arm
· Massive 1066mm gas assisted reach,
· Tilt , swivel , reach and height movement
· Integral cable management
* Provides 90° forward and backwards tilt and 360° rotation adjustment
* Medical Grade
* Supplied with 75mm and 100mm VESA interface plates.
* Moves +/- 500mm above / below desk mount

Specification
Arm Ext.: 165mm—1066mm
Monitor Height Adjust 1000mm
Tilt Adjustment: 180°
Monitor Rotation 360°
Colour: Light Grey or black
Max Monitor Weight: 8.16Kg's
Keyboard and Mouse Tray Yes
Touch Screen Stable: No
Shipping Weight: 10Kg's
Product Warranty: 3 Years (1 year on cylinder)

PRODCO - SALES - UK - LTD

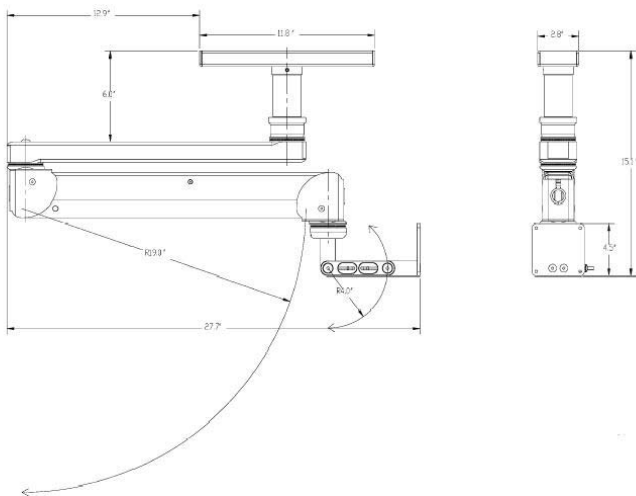
ELITE SERIES OF LCD MONITOR ARMS



EMEL5120CMQ1-1—Light Grey EMEL5120CMB1-1— Black
Durable, high quality, adjustable LCD monitor arm
· 533 mm gas assisted reach,
· Tilt , swivel , reach and height movement
· Integral cable management
* Provides 90° forward and backwards tilt and 360° rotation adjustment
* Medical Grade
* Supplied with 75mm and 100mm VESA interface plates.
* Moves 500mm below ceiling mount
* 5" , 12" , 24" or 36" ceiling drop pole

Specification
Arm Ext.: 533mm
Monitor Height Adjust 500mm
Tilt Adjustment: 180°
Monitor Rotation 360°
Colour: Light Grey or black
Max Monitor Weight: 8.16Kg's
Keyboard and Mouse Tray No
Touch Screen Stable: No
Shipping Weight: 10Kg's
Product Warranty: 3 Years (1 year on cylinder)

PRODCOT HEALTH-CARE SOLUTIONS



EMTE8520CMQ1-1—Light Grey EMTE8520CMB1-1— Black
Durable, high quality, adjustable LCD monitor arm
· 1000 mm gas assisted reach,
· Tilt , swivel , reach and height movement
· Integral cable management
* Provides 90° forward and backwards tilt and 360° rotation adjustment
* Medical Grade
* Supplied with 75mm and 100mm VESA interface plates.
* Moves 500mm below ceiling mount
* 5" , 12" , 24" or 36" ceiling drop pole

Specification
Arm Ext.: 1066mm
Monitor Height Adjust 500mm
Tilt Adjustment: 180°
Monitor Rotation 360°
Colour: Light Grey or black
Max Monitor Weight: 8.16Kg's
Keyboard and Mouse Tray No
Touch Screen Stable: No
Shipping Weight: 10Kg's
Product Warranty: 3 Years (1 year on cylinder)

PRODCOT-SALES-UK-020-1A0-11-020-1020