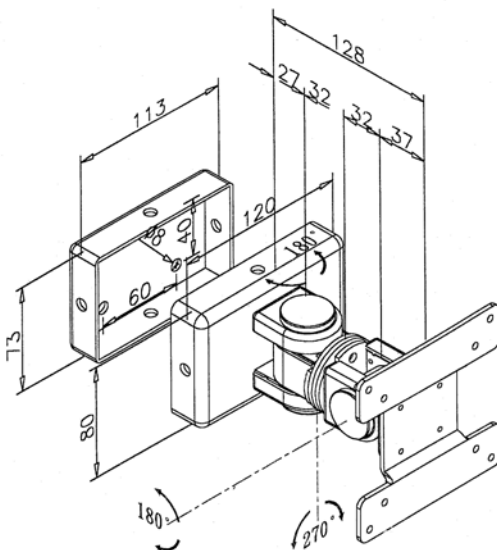


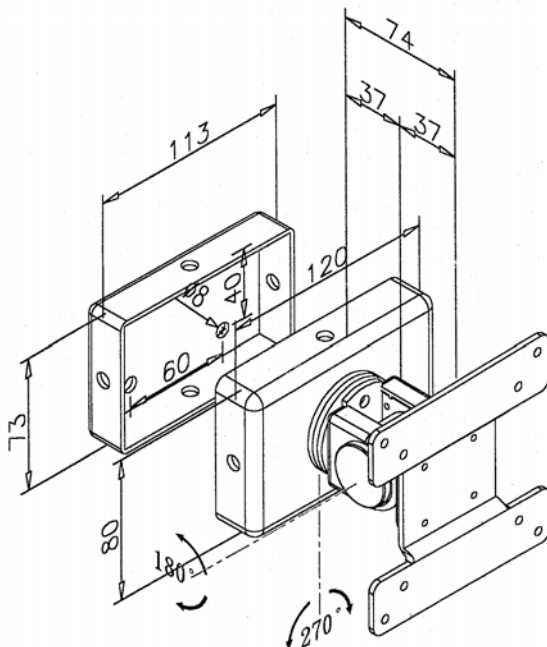
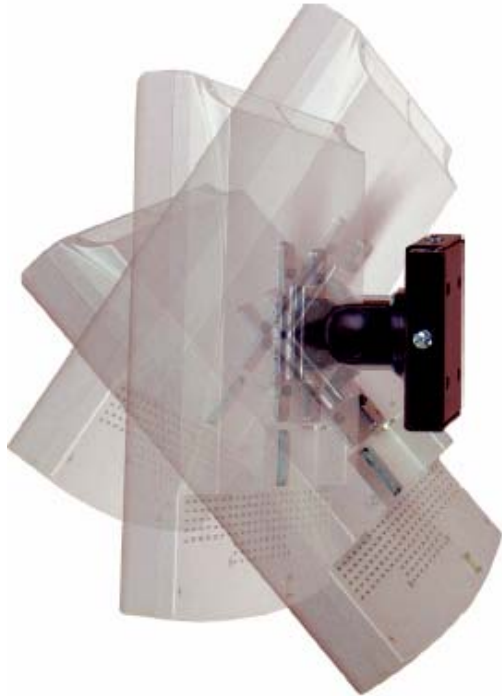
# DELTA SERIES LCD WALL MOUNTS



<p><b>EM170B - Triple pivot –Black</b>  <b>EM170S - Triple pivot –Silver</b></p>
<p>Durable, cost effective adjustable wall mount for lcd monitors and TV's</p>
<ul style="list-style-type: none"> <li>· Simple Installation</li> </ul>
<ul style="list-style-type: none"> <li>· Tilt , swivel and portrait to landscape movement</li> </ul>
<ul style="list-style-type: none"> <li>· Touch screen stable</li> </ul>
<p>* Provides 180° tilt and 180° angle left to right adjustment</p>
<p>* Monitor can move through portrait to landscape</p>
<p>* Supplied with 75mm and 100mm VESA interface plates.</p>
<p>* Can be locked off in position</p>

Specification
Arm Ext.: <b>140mm</b>
Tilt Adjustment: <b>180°</b>
Monitor Swivel: <b>180°</b>
Colour: <b>Black, or Silver</b>
Max Monitor Weight: <b>12Kg's</b>
Touch Screen Stable: <b>YES</b>
Shipping Weight: <b>2Kg</b>
Product Warranty: <b>3 Years</b>

**PRODCOCH-SALWCH-EMPS-HOCDORP**



### EM171B - Single Pivot –Black

Durable, cost effective adjustable wall mount for lcd monitors and TV's

- Simple Installation
- Tilt and portrait to landscape movement
- Touch screen stable
- \* Provides 180° tilt adjustment
- \* Monitor can move through portrait to landscape
- \* Supplied with 75mm and 100mm VESA interface plates.
- \* Can be locked off in position

### Specification

Arm Ext.:	<b>102mm</b>
Tilt Adjustment:	<b>180°</b>
Monitor Swivel:	<b>0°</b>
Colour:	<b>Black</b>
Max Monitor Weight:	<b>12Kg's</b>
Touch Screen Stable:	<b>YES</b>
Shipping Weight:	<b>2Kg</b>
Product Warranty:	<b>3 Years</b>

**DELTA-SERIES-WALL-MOUNTS**