

ULTRA 390 DUAL MONITOR WALL TRACK SERIES



PRODCO - PALMS - CEMPS - HOCDOOP

**EMVM1X2-T36-KB-TB
EMVM1X2-T36-KB-A1-TB
EMVM1X2-T36-KB-A2-TB**

Durable, high quality, adjustable computer workstation for dual LCD monitors, keyboard and mouse

Independent height and reach adjustment for monitors and keyboard.

Supplied with 910mm (36") long low profile aluminium wall track

· Maximum monitor width: 540mm.
Maximum individual monitor weight 11 kg's.

Three keyboard options available, compact, single 280mm (11") extension or double 280mm (11") extension.

Slide under mouse tray for left and right handed use

Keyboard and mouse tray flip up when not in use

Medical Grade

Supplied with 75mm and 100mm VESA interface plate.

Specification

Monitor Arm Ext.: **0mm**

Keyboard Tray Ext: **300mm / 580mm/ 860mm**

Monitor Tilt Adjustment: **30°**

Monitor Rotation **30°**

Colour: **Black / Aluminium Extrusion**

Max Monitor Weight: **11Kg's each**

Keyboard and Mouse Tray **Yes**

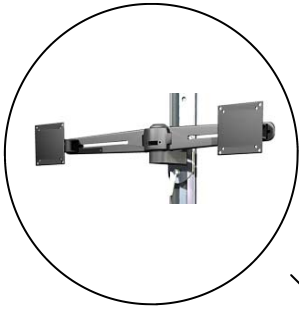
Touch Screen Stable: **Yes**

Shipping Weight: **7- 10Kg's**

Product Warranty: **2 Years**



ULTRA 390 DUAL MONITOR WALL TRACK SERIES



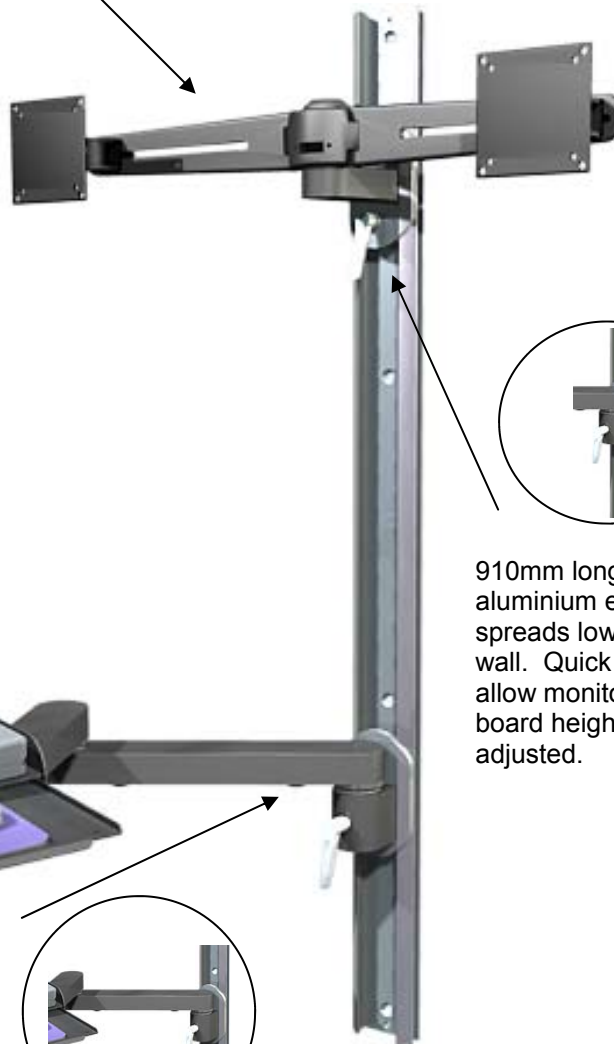
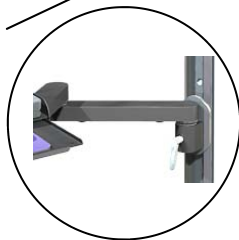
The dual horizontal LCD monitor mount supports two LCD monitors up to 11 kg each and 540mm in width. Monitor can tilt, angle left to right and move through portrait to landscape

The Ultra 390 dual LCD computer workstation is the ideal PACS / EPRS wall mount solution. Compact, durable design enables monitors, keyboard and mouse to be supported on an ergonomic workstation whilst requiring a zero floor footprint. When combined with an Ultra or EZ series wall mount CPU holder you have the complete all in one computer workstation.

Ergonomic keyboard and mouse tray with built in wrist rest. Mouse tray slides underneath keyboard tray to suit left and right handed users.



Keyboard support available as compact, single 280mm extension arm, or double 280mm extensions arm (as pictured).



910mm long low profile aluminium extrusion spreads low weight across wall. Quick release levers allow monitor and keyboard heights to be adjusted.

PRODOTTO IN ITALIA

Part Number

Description

EMVM1X2-T36-KB-TB



Ultra 390 Dual LCD monitor and keyboard wall track mount, 910mm wall track, compact keyboard mount, black / aluminium finish.

EMVM1X2-T36-KB-A1-TB



Ultra 390 Dual LCD monitor and keyboard wall track mount, 910mm wall track, 1 x 280mm extension arm on keyboard mount, black / aluminium finish.

EMVM1X2-T36-KB-A2-TB



Ultra 390 Dual LCD monitor and keyboard wall track mount, 910mm wall track, 2 x 280mm extension arms on keyboard mount, black / aluminium finish.

Optional Extras

EMCPUSF-QG



EZ series wall mount CPU holder, narrow width, 50mm - 116mm, light grey finish (**EMCPUSF-TB Black finish**)

EMCPUFF-QG



EZ series wall mount CPU holder, standard width, 101mm - 205mm, light grey finish (**EMCPUFF-TB Black finish**)

EMCPU2.8WMQ1



Ultra series wall mount CPU holder, narrow width, 71mm - 127mm, light grey finish (**EMCPU2.8WMB1 Black finish**)

EMCPU5WMQ1



Ultra series wall mount CPU holder, standard width, 127mm - 177mm, light grey finish (**EMCPU5WMB1 Black finish**)

EMCPU7WMQ1



Ultra series wall mount CPU holder, wide width, 177mm - 279mm, light grey finish (**EMCPU7WMB1 Black finish**)