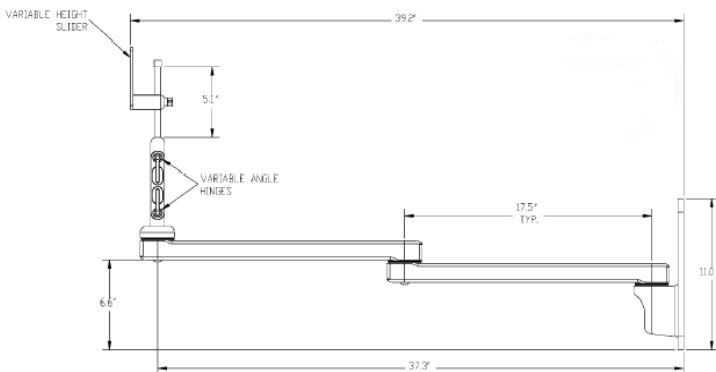
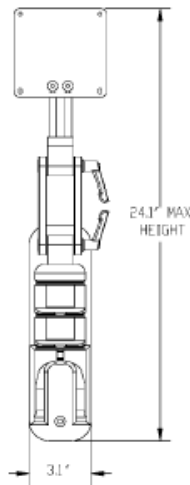


TITAN SERIES OF LCD MONITOR ARMS

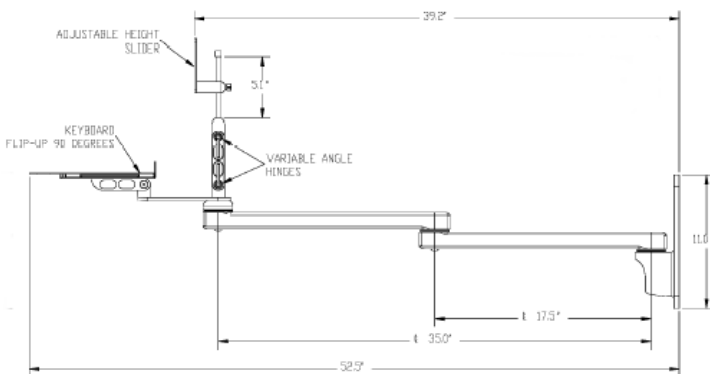
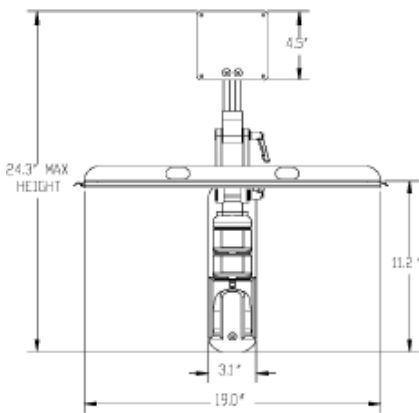


EMT18220WMQ1– Light Grey EMT18220WMB1– Black
Durable, high quality, adjustable LCD monitor arm
· Massive 1066mm maximum reach,
· Tilt , swivel , reach and height movement
· Integral cable management
* Provides 90° forward and backwards tilt and 360° rotation adjustment
* Medical Grade
* Supplied with 75mm and 100mm VESA interface plates.
* 150mm of height adjustment on monitor

Specification	
Arm Ext.:	89mm—1066mm
Monitor Height Adjust	150mm
Tilt Adjustment:	180°
Monitor Rotation	360°
Colour:	Light Grey or black
Max Monitor Weight:	8.16Kg's
Keyboard and Mouse Tray	No
Touch Screen Stable:	No
Shipping Weight:	8Kg's
Product Warranty:	3 Years

PRODCO - THE MEDICAL SOLUTIONS

TITAN SERIES OF LCD MONITOR ARMS



**EMT18220WMQ1-0-3– Light Grey
EMT18220WMB1-0-3– Black**

Durable, high quality, adjustable LCD monitor and keyboard arm

- Massive 1066mm maximum reach,
- Tilt , swivel , reach and height movement
- Integral cable management

* Provides 90° forward and backwards tilt and 360° rotation adjustment

* Medical Grade

* Supplied with 75mm and 100mm VESA interface plates.

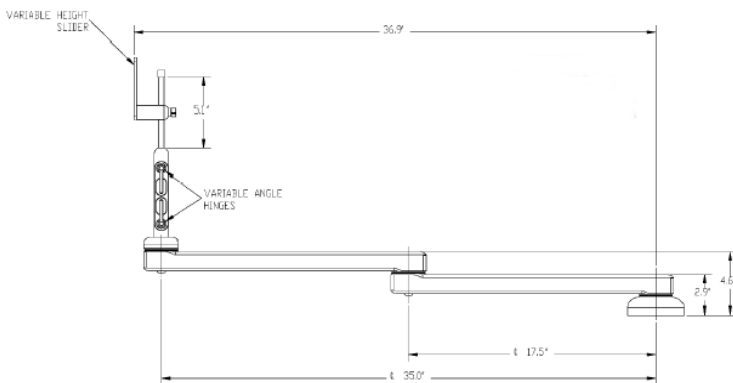
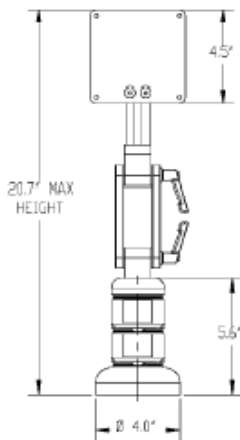
* 150mm of height adjustment on monitor

Specification

Arm Ext.:	89mm—1066mm
Monitor Height Adjust	150mm
Tilt Adjustment:	180°
Monitor Rotation	360°
Colour:	Light Grey or black
Max Monitor Weight:	8.16Kg's
Keyboard and Mouse Tray	Yes
Touch Screen Stable:	No
Shipping Weight:	8Kg's
Product Warranty:	3 Years

PRODCO - MEDICAL - UK - LTD

TITAN SERIES OF LCD MONITOR ARMS



**EMT18220DMQ1– Light Grey
EMT18220DMB1– Black**

Durable, high quality, adjustable LCD monitor arm

· Massive 1066mm maximum reach,

Bolt through desk fitting (3/8"th bolt)

· Tilt , swivel , reach and height movement

· Integral cable management

* Provides 90° forward and backwards tilt and 360° rotation adjustment

* Medical Grade

* Supplied with 75mm and 100mm VESA interface plates.

* 150mm of height adjustment on monitor

Specification

Arm Ext.: **89mm—1066mm**

Monitor Height Adjust **150mm**

Tilt Adjustment: **180°**

Monitor Rotation **360°**

Colour: **Light Grey or black**

Max Monitor Weight: **8.16Kg's**

Keyboard and Mouse Tray **No**

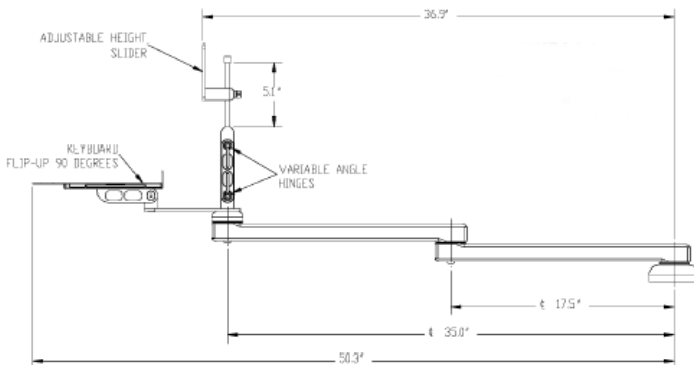
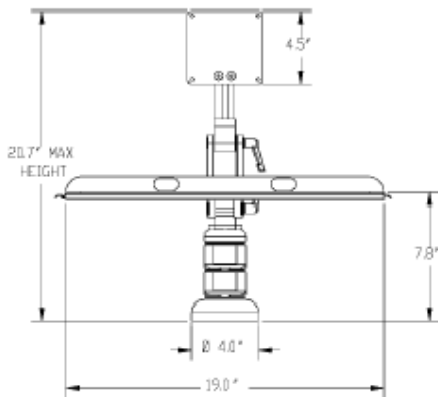
Touch Screen Stable: **No**

Shipping Weight: **8Kg's**

Product Warranty: **3 Years**

SALES@ERGMOUNTS.CO.UK

TITAN SERIES OF LCD MONITOR ARMS



**EMT18220DMQ1-0-3– Light Grey
EMT18220DMB1-0-3– Black**

Durable, high quality, adjustable LCD monitor and keyboard arm

- Massive 1066mm maximum reach,

- Bolt through desk fitting (3/8"th bolt)

- Tilt , swivel , reach and height movement

- Integral cable management

- * Provides 90° forward and backwards tilt and 360° rotation adjustment

- * Medical Grade

- * Supplied with 75mm and 100mm VESA interface plates.

- * 150mm of height adjustment on monitor

Specification

Arm Ext.: **89mm—1066mm**

Monitor Height Adjust **150mm**

Tilt Adjustment: **180°**

Monitor Rotation **360°**

Colour: **Light Grey or black**

Max Monitor Weight: **8.16Kg's**

Keyboard and Mouse Tray **Yes**

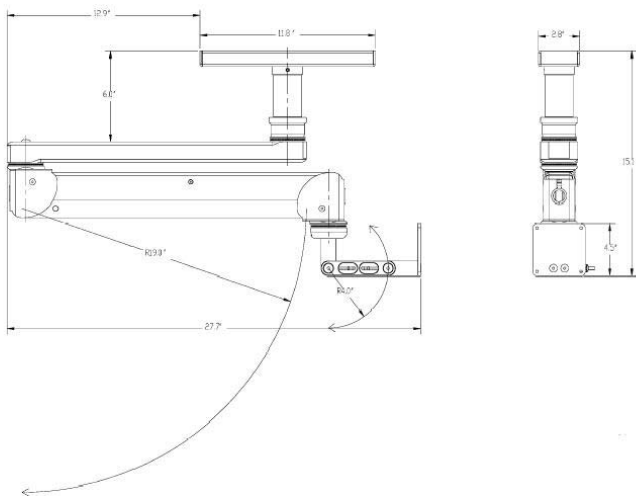
Touch Screen Stable: **No**

Shipping Weight: **8Kg's**

Product Warranty: **3 Years**

SALES@ERGOMOUNTS.CO.UK

TITAN - ELITE SERIES OF LCD MONITOR ARMS



EMTE8520CMQ1-1—Light Grey EMTE8520CMB1-1— Black
Durable, high quality, adjustable LCD monitor arm
· 1000 mm gas assisted reach,
· Tilt , swivel , reach and height movement
· Integral cable management
* Provides 90° forward and backwards tilt and 360° rotation adjustment
* Medical Grade
* Supplied with 75mm and 100mm VESA interface plates.
* Moves 500mm below ceiling mount
* 5" , 12" , 24" or 36" ceiling drop pole

Specification
Arm Ext.: 1066mm
Monitor Height Adjust 500mm
Tilt Adjustment: 180°
Monitor Rotation 360°
Colour: Light Grey or black
Max Monitor Weight: 8.16Kg's
Keyboard and Mouse Tray No
Touch Screen Stable: No
Shipping Weight: 10Kg's
Product Warranty: 3 Years

PRODCOT-SALES-UK-CH-ONS