



24"



1066mm



530mm



+25°/-90°



+/- 180°



L/P



Black, grey  
or medical  
white



No



No



12.7kg



3Years  
(1 year on  
cylinder)



VESA 75x75mm  
100x100mm



## T2 Elite with Quicklink Adjustable LCD Ceiling Mount

The T2 Elite combination series of LCD ceiling mounts are premium hospital LCD TV/monitor mounting solutions. The T2 Elite features revolutionary designs allowing monitor weights of up to 12.7kg to be supported whilst providing effortless, finger touch movement.

530mm (21") of vertical movement via the gas assisted arm combine with the extra horizontal movement provided by the T2 arm to yield a massive 1066mm (42") of maximum reach (including monitor). Each EMT2EQ model provides 360° rotation at the ceiling mount, 360° screen swivel and +25°/-90° tilt. The T2 Elite ceiling mounted monitor arm is ideal for hospital and dental environments.



see it your way...

T +44 (0)1252 333326 F +44 (0)1252 330006  
E sales@ergomounts.co.uk

[www.ergomounts.co.uk](http://www.ergomounts.co.uk) [www.medicalmounts.co.uk](http://www.medicalmounts.co.uk)

- Free up bed head space for other equipment / services.
- Monitor can move from landscape to portrait.
- Height and reach adjustable LCD monitor / LCD TV ceiling mount.
- Provides a massive 1066mm of reach and 530mm height adjustment from the mounting point.
- Gas assisted user adjustment allows repositioning by patients and clinicians alike.
- Designed to meet modern healthcare infection control standards, can be cleaned with hospital grade / chlorine based bleach cleaning solutions (Max 10,000 parts per 1,000,000).
- Used within all clinical areas including operating theatres, recovery, dental, wards etc.
- Widely used for Patient Vu / personal patient TV applications.
- Universal VESA 75mm x 75mm and 100mm x 100mm interface, supports LCD monitors / LCD TVs and LCD based patient clinical review equipment up to 12.7kg.
- Cables route neatly through the length of the T2 and Elite arm. All models allow cables to route through the pole and exit at the ceiling plate.
- 125mm (5"), 300mm (12"), 610mm (24") and 915mm (36") drop pole versions available to suit different ceiling heights.
- Optional large handle increases the ease of repositioning the attached equipment.
- Finished in light grey, medical white or black.



## Specifications

Arm Ext.:	<b>1066mm</b>
Monitor Height Adjust:	<b>530mm</b>
Tilt Adjustment:	<b>+25°/-90°</b>
Monitor Swivel:	<b>+/-180°</b>
Monitor Orientation:	<b>Landscape to portrait</b>
Colour:	<b>Black, medical white or grey</b>
Touch Screen Stable:	<b>No</b>
Keyboard and Mouse Tray:	<b>No</b>
Max Monitor Weight:	<b>12.7kg</b>
Product Warranty:	<b>3 Years (1 year on cylinder)</b>



Part Number	Description
<b>EMT2EQ-C8X5-QG</b>	T2 Elite LCD ceiling mount, Quicklink monitor attachment, 200mm x 200mm. 8" x 8" ceiling mount, 125mm (5") extension pole. Max monitor weight 12.7kg. Light Grey finish.
<b>EMT2EQ-C8X5-TB</b>	T2 Elite LCD ceiling mount, Quicklink monitor attachment, 200mm x 200mm. 8" x 8" ceiling mount, 125mm (5") extension pole. Max monitor weight 12.7kg. Black finish.
<b>EMT2EQ-C8X5-MW</b>	T2 Elite LCD ceiling mount, Quicklink swivel monitor attachment, 200mm x 200mm. 8" x 8" ceiling mount, 125mm (5") extension pole. Max monitor weight 12.7kg. Medical white finish.



<b>EMT2EQ-C8X12-QG</b>	T2 Elite LCD ceiling mount, Quicklink monitor attachment, 200mm x 200mm. 8" x 8" ceiling mount, 300mm (12") extension pole. Max monitor weight 12.7kg. Light Grey finish.
<b>EMT2EQ-C8X12-TB</b>	T2 Elite LCD ceiling mount, Quicklink monitor attachment, 200mm x 200mm. 8" x 8" ceiling mount, 300mm (12") extension pole. Max monitor weight 12.7kg. Black finish.
<b>EMT2EQ-C8X12-MW</b>	T2 Elite LCD ceiling mount, Quicklink monitor attachment, 200mm x 200mm. 8" x 8" ceiling mount, 300mm (12") extension pole. Max monitor weight 12.7kg. Medical white finish.



<b>EMT2EQ-C8X24-QG</b>	T2 Elite LCD ceiling mount, Quicklink monitor attachment, 200mm x 200mm. 8" x 8" ceiling mount, 610mm (24") extension pole. Max monitor weight 12.7kg. Light Grey finish.
<b>EMT2EQ-C8X24-TB</b>	T2 Elite LCD ceiling mount, Quicklink monitor attachment, 200mm x 200mm. 8" x 8" ceiling mount, 610mm (24") extension pole. Max monitor weight 12.7kg. Black finish.
<b>EMT2EQ-C8X24-MW</b>	T2 Elite LCD ceiling mount, Quicklink monitor attachment, 200mm x 200mm. 8" x 8" ceiling mount, 610mm (24") extension pole. Max monitor weight 12.7kg. Medical white finish.





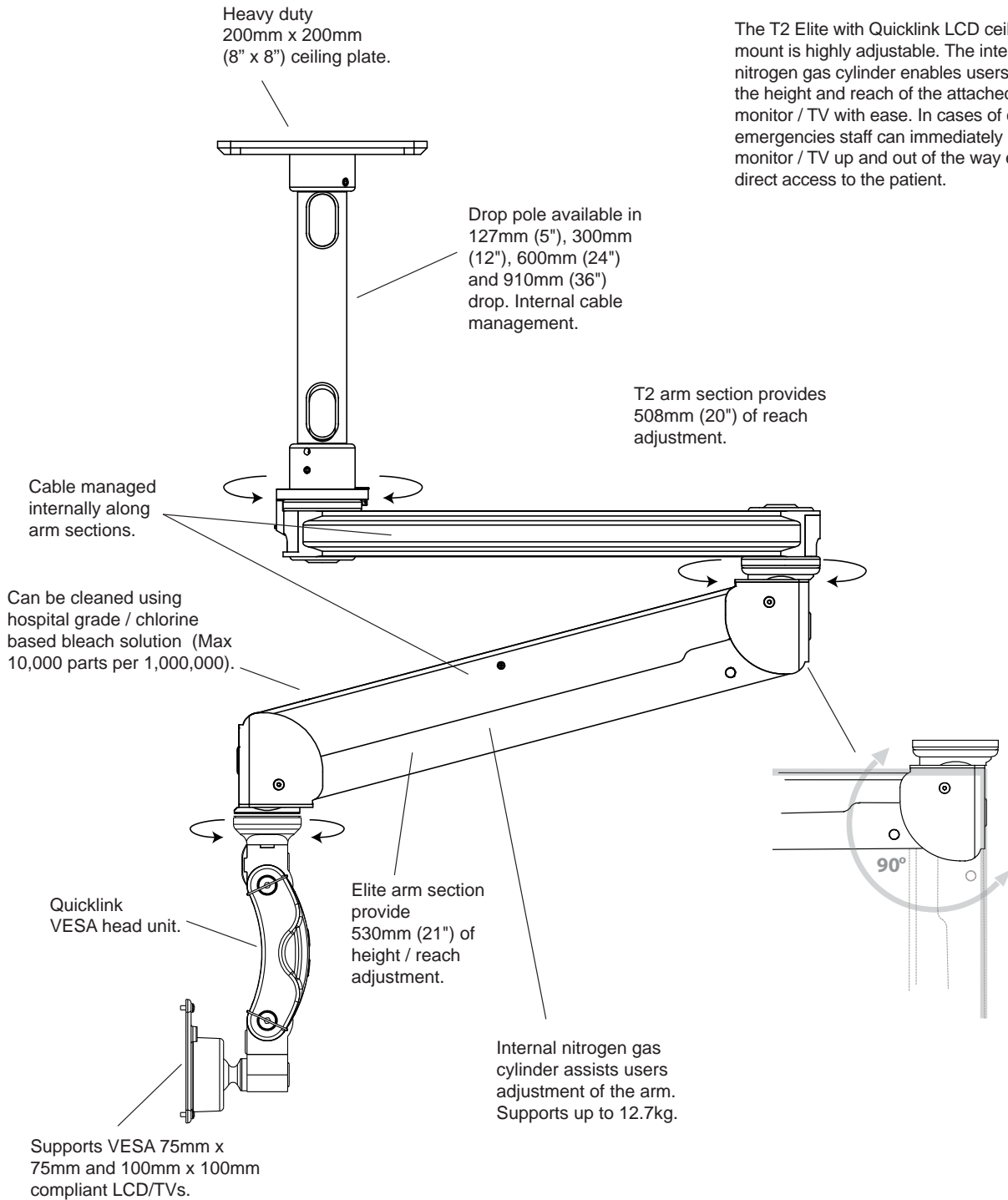
Part Number	Description
<b>EMT2EQ-C8X36-QG</b>	T2 Elite LCD ceiling mount, Quicklink monitor attachment, 200mm x 200mm. 8" x 8" ceiling mount, 915mm (36") extension pole. Max monitor weight 12.7kg. Light Grey finish.
<b>EMT2EQ-C8X36-TB</b>	T2 Elite LCD ceiling mount, Quicklink monitor attachment, 200mm x 200mm. 8" x 8" ceiling mount, 915mm (36") extension pole. Max monitor weight 12.7kg. Black finish.
<b>EMT2EQ-C8X36-MW</b>	T2 Elite LCD ceiling mount, Quicklink monitor attachment, 200mm x 200mm. 8" x 8" ceiling mount, 915mm (36") extension pole. Max monitor weight 12.7kg. Medical white finish.



<b>EMB0500-0003-CH</b>	Chrome finishing ring for Titan, T2 Elite and Elite Ceiling Mounts.
------------------------	---



<b>EMTHBV-QG</b>	Paralink and Quicklink large grab handle. Grey finish.
<b>EMTHBV-TB</b>	Paralink and Quicklink large grab handle. Black finish.
<b>EMTHBV-MW</b>	Paralink and Quicklink large grab handle. Medical white finish.

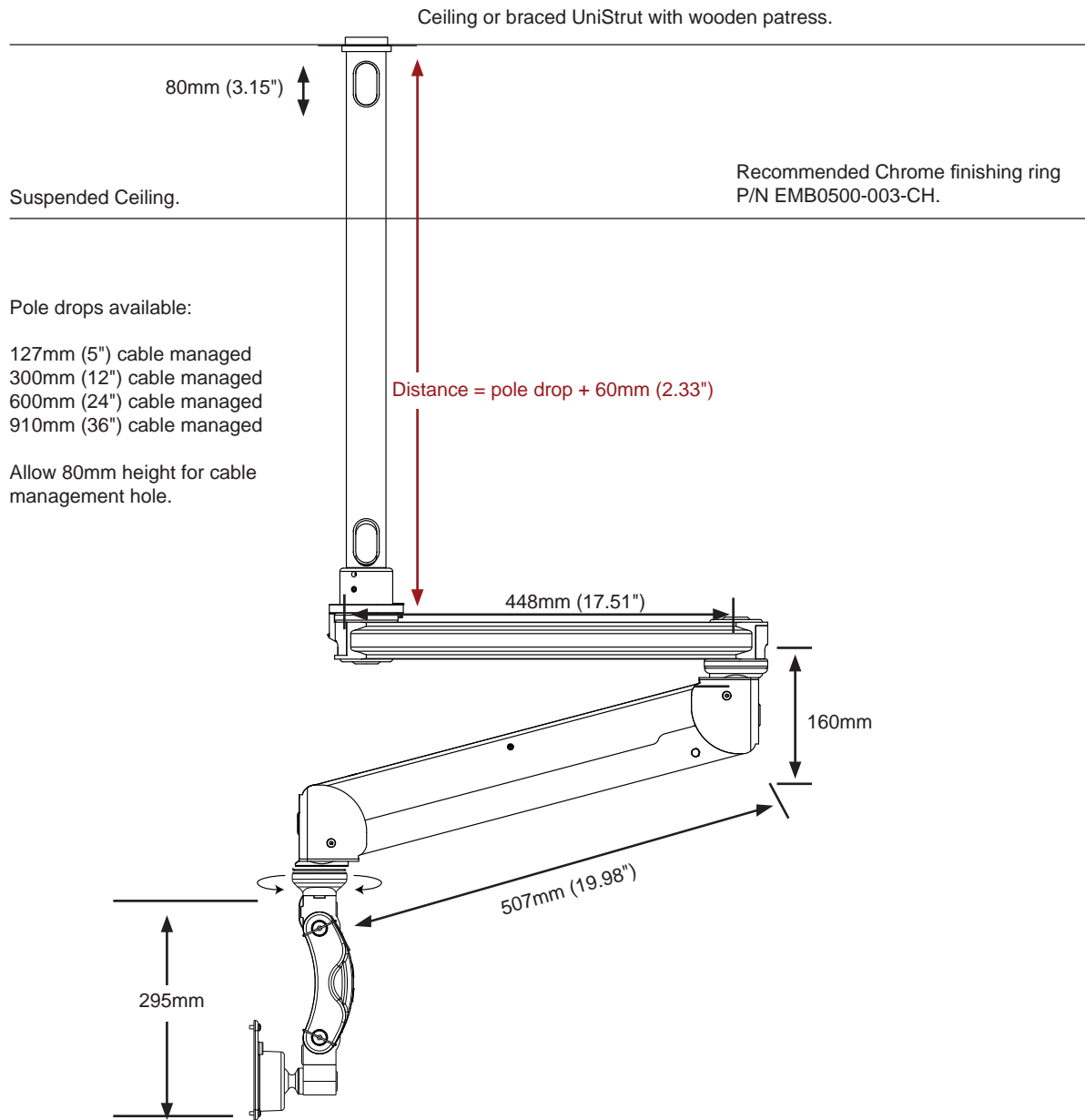


The T2 Elite with Quicklink LCD ceiling mount is highly adjustable. The internal nitrogen gas cylinder enables users to adjust the height and reach of the attached LCD monitor / TV with ease. In cases of clinical emergencies staff can immediately swing the monitor / TV up and out of the way enabling direct access to the patient.

### Finishes

		
MW Medical White	QG Light Grey	TB Black

### EMT2EQ LCD Ceiling Mount



The specifying guide above is designed to assist in determining the most appropriate length of pole drop. The EMT2EQ LCD ceiling mount is suitable for use within many medical based environments including OR theatres, EPRS, and ward based patient use and therefore it's not possible to provide a single recommended height due to the varying nature of each application.

Should you require assistance in specifying the correct pole drop for your required application / environment then please contact:

**01252 333326.**