

The MD arm is the latest high quality LCD monitor arm to include the unique T-Rex adjuster designed to enhance lateral stability for larger LCD monitors. The MD arm provides a full 25" (635mm) of vertical height adjustment, enough to create a sit-stand wall mounted workstation. When extended the keyboard can be positioned up to 43" (1090mm) from the wall and folded to within 8.5" (216mm) when not in use. The thinner frame and slim design make the MD arm ideal for applications where space is tight and maximum flexibility is required.

**EMMD18R-WMD-KRXB-QG (White)
(MD18R-WMD-KRXB-QG)**

Durable, high quality, gas assisted, adjustable LCD monitor arm, with flip up keyboard and mouse tray

Fully functional sit-stand workstation allowing effortless adjustment between sitting and standing positions

813mm maximum reach (measured to front of monitor), 1090mm to front of keyboard. Folds to within 216mm of wall

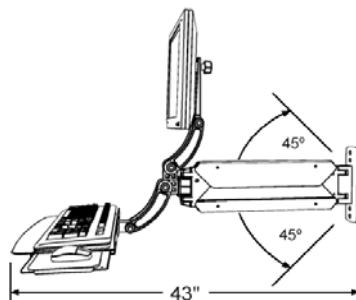
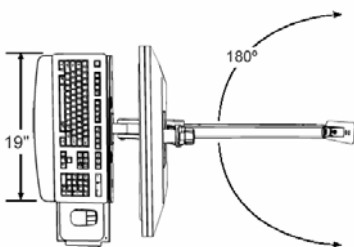
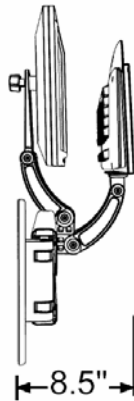
Integral cable management

Provides 180° forward and backwards tilt and 180° rotation adjustment

275mm of height adjustment on monitor, 330mm of height adjustment on keyboard

Supports monitors up to 12.7 kg's and supplied with 75mm and 100mm VESA interface plates.

Medical Grade



Specification

Arm Ext.:	216mm—1090mm
Monitor Height Adjust:	635mm (max)
Tilt Adjustment:	180°
Monitor Rotation:	180°
Colour:	White
Max Monitor Weight:	12.7Kg's
Keyboard and Mouse Tray Option:	Yes
Touch Screen Stable:	Yes
Shipping Weight:	12Kg's
Product Warranty:	5 Years (2 years on cylinder)

W
O
R
L
D
-
W
I
D
E
-
A
V
A
I
L
A
B
L
E